

Digital time switch clock

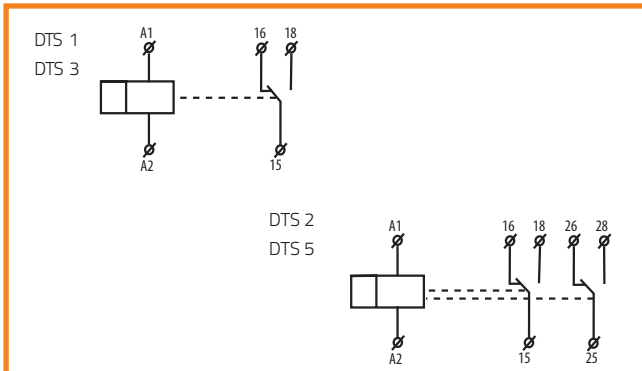
DTS 1, DTS 2, DTS 3, DTS 5



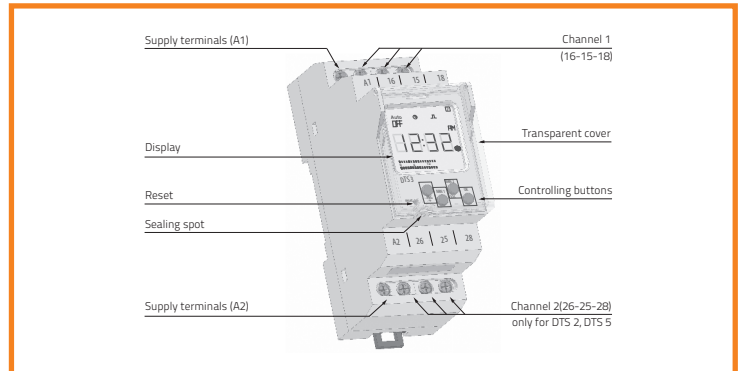
- This time switch clock is used to control various appliances in real time; daily, weekly, monthly and annual mode.
- Switching: according the program (AUTO)/constantly manually, manually to next program change/random (CUBE)
- "Holiday program" option to choose an interval when the device doesn't switch according to the standard program, but will be block during that time
- Automatic conversion summer / winter time
- Sealable cover of front panel, easy controlling via 4 buttons
- 100 memory places, clear LCD display, min. interval 1 s
- Voltage range: AC 230 V or AC/DC 12-240 V
- Cyclic output
- Pulse output
- DTS 1, DTS 3: one channel version, 2-MODULE, DIN rail mounting, terminals
- DTS 2, DTS 5: two channel version, 2-MODULE, an individual program can be run on each channel

	Output		Time programm			
	1 channel	2 channel	day	week	month	year
DTS1	●		●	●		
DTS2		●	●	●		
DTS3	●		●	●	●	●
DTS5		●	●	●	●	●

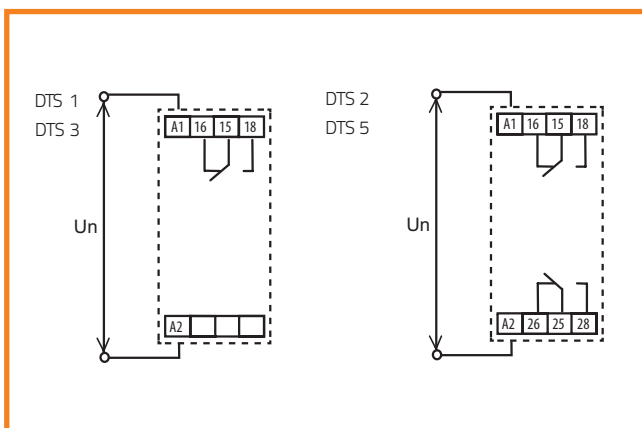
Symbol



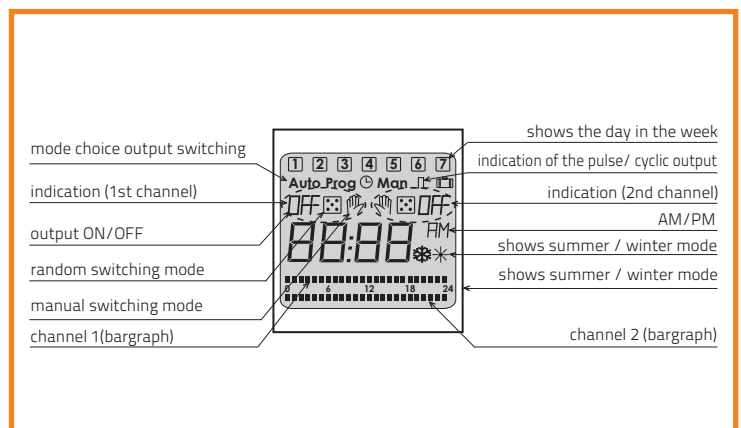
Description



Connection



Description of display



Technical data		DTS 1, DTS 3	DTS 2, DTS 5
Supply terminals		A1- A2	
Voltage range	UNI	AC/DC 12 - 240 V (AC 50 - 60 Hz)	
Burden		AC 0.5 - 2 VA / DC 0.4 - 2 W	
Voltage range	230 V	AC 230 V / 50 - 60 Hz	
Burden		AC max. 14 VA / 2 W	
Supply voltage tolerance		-5 % ; +10 %	
Back-up supply		yes	
Summer/winter time		automatic	
Output			
Number of contacts		1x changeover/SPDT (AgSnO ₂)	2x changeover/DPDT (AgSnO ₂)
Current rating		16 A / AC1	
Breaking capacity		4000 VA / AC1, 384 W / DC	
Inrush current		30 A / <3 s	
Switching voltage		250 V AC1 / 24 V DC	
Min. breaking capacity DC		500 mW	
Mechanical life		>3 x 10 ⁷	
Electrical life (AC1)		>0.7 x 10 ⁵	
Time circuit			
Power back-up		up to 3 years	
Accuracy		max. ±1s/ day at 23 °C	
Minimum interval		1 min	
Data stored for		min. 10 years	
Cyclic output		1 - 99 s	
Pulse output		1 - 99 s	
Program circuit			
Number of memory places		100	
Program (DTS 1, DTS 2)		daily, weekly	
Program (DTS 3, DTS 5)		daily, weekly, monthly, yearly (up to year 2095)	
Data readout		LCD display, with back light	
Other information			
Operating temperature		-20 ... +55 °C	
Storage temperature		-30 ... +70 °C	
Electrical strength		4 kV (supply - output)	
Operating position		any	
Mounting		DIN rail EN 60715	
Protection degree		IP 10 clips, IP 40 from front panel	
Overvoltage category		III.	
Pollution degree		2	
Max. cable size (mm ²)		solid wire max. 2x2.5 or 1x4 / with sleeve max. 1x2.5 or 2x1.5	
Dimensions		90 x 35.6 x 64 mm	
Weight		(UNI) - 130 g, (230 V) - 110 g	(UNI) - 143 g, (230 V) - 125 g
Standards		EN 61812-1, EN 61010-1	